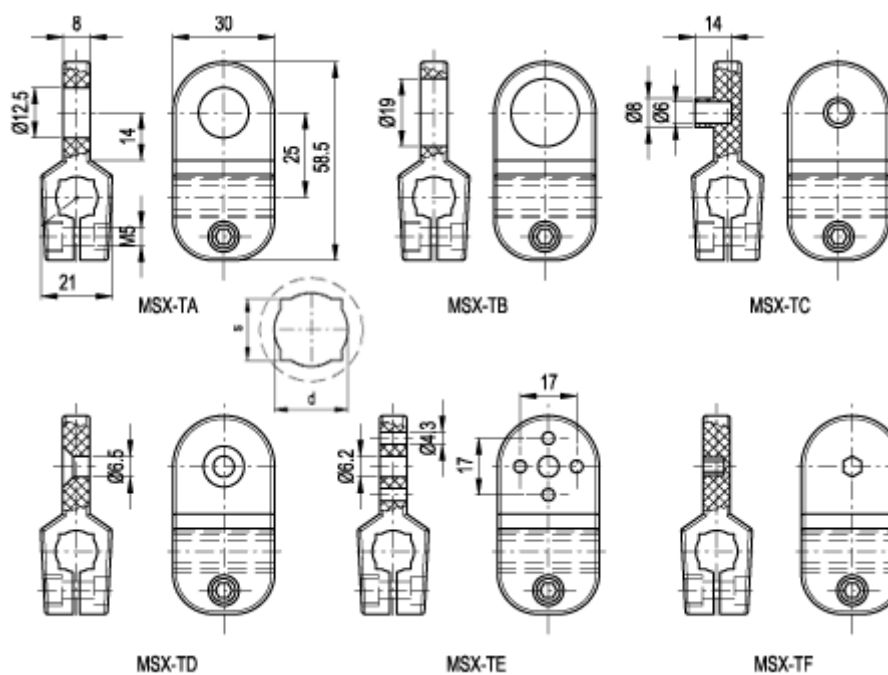


Article number: 2310440144

Description: E+G MSX Device clamp  
MSX.56-TD-10-12

## Measures



d	= 12
Rotation resistance	= 4.5
s	= 10
Torque (N m)	= 1000
Type	= MSX.56-TA-10-12